

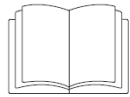
Mannequin



COBRILLO

Use and Instruction Manual

This instruction sheet is available as well as in paper format on the website www.cobrillo.com



Safety warnings

Before using the Mannequin for the first time, carefully read this instruction booklet which contains important information regarding the safety, use and maintenance. You will avoid injuring yourself and damaging the product.

Keep this instruction manual carefully and also deliver it to any future users.

The instruction manual must be kept throughout the life of the product.

The use of the Mannequin by children from 0 to 14 years is strictly prohibited

Before installing the Mannequin, check that there are no visible damages.

Do not install or operate the Mannequin if it is damaged.

Before connecting the Mannequin to the electrical voltage, make sure that the connection values shown on the data plate located on the bottom of the Mannequin are the same of the electrical network, if in doubt, consult a qualified professional.

The safe and reliable operation of the Mannequin is guaranteed only if it is connected to the public network.

For safety reasons, extensions connected to the cable cannot be used.

If the power cable is damaged it must be immediately replaced with a cord set of equivalent characteristics and certifications. Contact a service center.

It is absolutely forbidden to use the Mannequin if not completely and correctly assembled as per the instructions in the ASSEMBLY paragraph.

Do not perform any type of repair on the Mannequin, it can put the user in serious danger. Please contact the service center and / or manufacturer.

For cleaning or maintenance, make sure that the Mannequin is disconnected .

Make sure that the AIR INTAKE (16) and the DISPENSER (17) are completely free and clean of dust or objects that could obstruct or even partially limit the passage of air.

Avoid that pets play or damage the power cord or any part of the Mannequin . Dangerous for to the animal and the user.

Through the timed "heating" function, the Mannequin is used to heat a bathrobe or similar garment. If during use the appliance should overheat, or give off unusual odors, turn it off immediately and contact the assistance service.

When the product is at maximum temperature, it reaches about 80 ° C and must not be used to heat clothes that can be damaged at these temperatures.

Check carefully the labels of the individual clothes before to warm it on the Mannequin .

Do not place clothing, objects or any type of flammable material on the appliance that may fall and obstruct the appliance's hot air supply ; fire hazard.

Do not place clothing soiled with oil or any flammable material on the appliance and do not place the Mannequin in environments with dust or any flammable material, fire hazard.

The Mannequin is not intended for outdoor use as it is not protected from water and dust.

Do not place the Mannequin in places where it may receive splashes of water or fall into water.

Always keep the environment in which the appliance is positioned clean of dust and impurities, dust and impurities could be sucked in by the appliance and create internal combustion or the diffusion of toxic substances.

Do not place the Mannequin on an uneven, sloping or swinging surface (for example a boat), the appliance may fall and cause serious damage to things, people or animals.

The Mannequin is not a game and must not be used for recreational purposes.

The Mannequin is not an essence diffuser and cannot be used for this purpose.

People who, due to their physical, sensory or psychic abilities or due to their inexperience or lack of knowledge, are not able to use this appliance safely, must not use it without the supervision and guidance of an adult and responsible person.

The Mannequin cannot be dismantled, tampered with or modified in any way.

The warranty and liability on the product lapses with immediate effect in the event of disassembly, tampering and modifications.

Any unauthorized operation can compromise safety making it dangerous.

The Mannequin is equipped with an internal anti-tampering system.

Do not replace the LED LAMPS (18), their replacement must be carried out by a person authorized by Cobrillo srl.

Do not touch during or immediately after using the "heating" function.

The dispenser (17), can reach high temperatures. Burn hazard.

It is forbidden to remove the yellow label that indicates the danger of burns in this area.

Do not insert your hands or objects inside the body of the Mannequin.

The Mannequin is equipped with an automatic reset thermal safety device if the appliance has an abnormal operation for which it switches off and on repeatedly, or if it emits abnormal noises, switch the appliance off and call assistance.

The only accessories that can be used on the appliance are those expressly present in the packaging by Cobrillo, if you install or use accessories not provided for, the safety of the product lapses and consequently also the warranty.



Disposal of the packaging

The packaging is intended to protect the goods from any damage that could occur during transport. The materials used for packaging are recyclable and selected according to criteria of respect for the environment and reintegration into production cycles.

Keep the original packaging in order to transport the device at a later time or for possible shipment to the Cobrillo technical assistance service in case of breakdown or damage.

Disposal of equipment

Electrical and electronic equipment contains useful materials, however inappropriate disposal could harm health and the environment; therefore, under no circumstances should these appliances be disposed of in normal household waste. The symbol of the crossed-out wheeled bin indicates that the product must be sent to the appropriate separate collection centers. Proper disposal contributes to avoiding possible negative effects on the environment

Disposal of waste electrical and electronic equipment (WEEE), pursuant to Legislative Decree 14 March 2014, No. 49 in implementation of Directive 2012/19 / EU and on WEEE on the disposal of waste electrical and electronic equipment.

Make sure that the equipment is kept away from children until disposal.

Mounting

The assembly of the appliance is very simple , however it must be done by an adult who has minimal manual skills and competence.

In case of doubts about the assembly, please contact Cobrillo technical assistance or get help from a competent person.

- Check that the packaging is intact and that it is complete with every accessory (page 4)
- Position the BODY (1) on top of the PEDESTAL (2) taking care to insert the PINS (3) in the appropriate SEATS (4)
- Screw the NUTS (5) by hand

ATTENTION for tightening do not use tools, pliers, wrenches, etc., at risk of damage.

- Insert the CABLE (6) in the VDE SEAT (7) making sure that it is well inserted and that the SAFETY (8) is triggered.

After checking that the mains voltage corresponds to that specified on the label, you can connect the CABLE (6) to the electrical voltage.

To extract the CABLE (6) from the VDE SEAT (7), press the SECURITY key (8) and then extract it, this operation should normally only be carried out if the cable is replaced.

After assembly, before using the appliance to heat the bathrobe, it is necessary to carry out two complete cycles of vacuum heating: this operation is used to make sure the device works correctly and to become familiar with the functions of the product.

In case of suspicious noises, overtemperatures or anomalies, immediately turn off the device and contact the technical service.

Use

Position the SWITCH (9) on the CONTROL PANEL (10) to "1", a GREEN LED (11) will light up and indicate that the device is live.

The Mannequin has two functions: the timed heating of the bathrobe and the Lighting Function. **The device functions** can be activated indifferently via the buttons on the control panel or via the supplied remote control.

It is recommended to remove the voltage from the device by positioning the SWITCH (9) to "0" after each use, in the event of maintenance, cleaning or prolonged inactivity, the cable must be disconnected from the power outlet.

Operation

Lighting function

To turn on the LED lamp, press the BLACK BUTTON (13) located on the right of the dashboard or the B button on the REMOTE CONTROL (15).

The lighting function will remain active as long as the BLACK BUTTON (13) on the right of the dashboard is not pressed again or the B button on the REMOTE CONTROL (15).

Timed heating function

Press the RED BUTTON (14) located on the left of the control panel or the remote control button A (15).

An audible signal will indicate that the heating cycle is active and a RED LED (12) will light up. **After 10 minutes** an acoustic signal and the flashing of the RED LED (12) will warn you that the heating cycle is ending and that the shutdown phase has started.

After 20 seconds, a double beep, the turning off of the fan and the turning off of the RED LED (12) will indicate that the heating cycle is completely finished and your device is in stand by, ready to start again for a new cycle.

Press key A on the REMOTE CONTROL (15) again or the RED BUTTON (14) located on the left on the CONTROL PANEL (11) to start the cycle again.

To interrupt the heating cycle before the programmed end, simply press the RED BUTTON (14) or remote control button A (15), an audible signal and the flashing of the RED LED (12) will warn you that the cycle has started shutdown which will end after 30 seconds. During this phase it is absolutely not necessary to disconnect the electrical voltage.

The shutdown cycle was designed to stop the heating phase in total safety without the object overheating; in this phase the electrical resistance switches off while the fan continues to cool the resistance: the forced interruption of this phase could damage the fan or the internal components of the device.

The appliance is equipped with an automatic reset thermal safety device. In the event that the appliance has an abnormal functioning, it is necessary to switch it off and on repeatedly to switch the appliance off and call for assistance.

The appliance has a cooling system for the electric heater, with a fan that works for 20 seconds after the heating element is turned off.

Maintenance

Before cleaning the appliance, make sure that it is disconnected from the mains.

Clean the appliance with a dry or slightly moistened cloth with just water.

Do not use detergents that contain solvents, bleach, ammonia, glass cleaners, universal cleaners, when the appliance heats up it could spread toxic substances into the environment or start a fire.

Do not spray liquids directly on the appliance.

Make sure that the AIR INTAKE (16) and the DISPENSER (17) are completely free and clean of dust or objects that could obstruct or even partially limit the passage of air.

The only accessories that can be used on the appliance are the one expressly present in the packaging by Cobrillo, if you install or use accessories not provided for, the safety of the product lapses and consequently also the warranty.

Suggestions


To obtain an optimal result, place the garment on the Mannequin, taking care that there are no front or upper openings that let the heat escape.



Cobrillo is not liable for damages resulting from failure to comply with the safety instructions and warning

Technical Data

Heating cycle 10 minutes
480W / h (80 watt per cycle)
Led lamp – 2 x 3 Watt / H
Weight 15 kg

Mod. MQ003
220 - 240 V~ 50/60 Hz 480W IP21
2 x 5W (GU 5.3) LED 



Made in Italy

Warranty

COBRILLO SRL guarantees the products illustrated in the terms and for the period of time established by the national law implementing the WARRANTIES Directive 1999/44 / EC and 2011/83 / EU, in force in the country in which the customer (consumer) purchased the product with brand COBRILLO SRL.

The COBRILLO SRL guarantee is not in any case a substitute for the one provided for by law.

The WARRANTY starts from the purchase date proven by a document with fiscal validity (invoice, tax receipt or sales receipt) showing the indication of the product itself. In the event of defects in materials or workmanship, COBRILLO SRL will repair, replace defective parts or replace the entire product free of charge in accordance with the WARRANTY Directive 1999/44 / EC, excluding any other form of compensation, both legal and conventional, without prejudice to legal obligations.

Any replacement of defective components or part of the aforementioned products will not extend the original warranty period. The warranty on replaced parts will therefore cease together with the expiry of the warranty period initially established on the complete product.

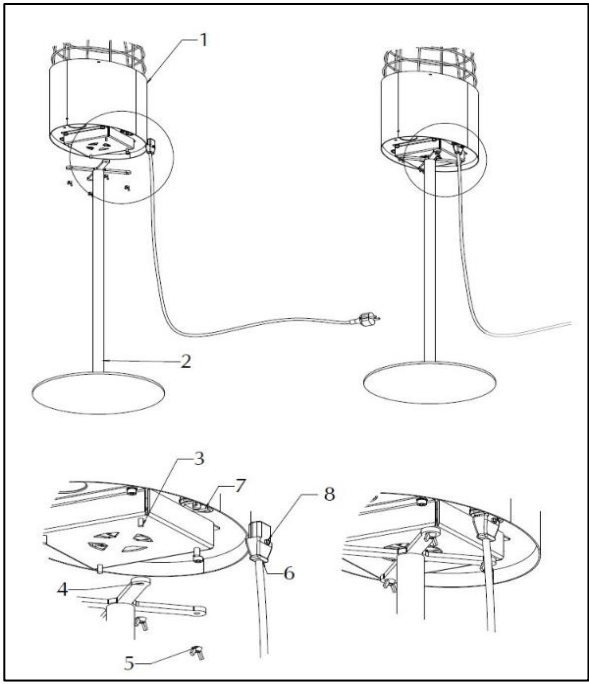
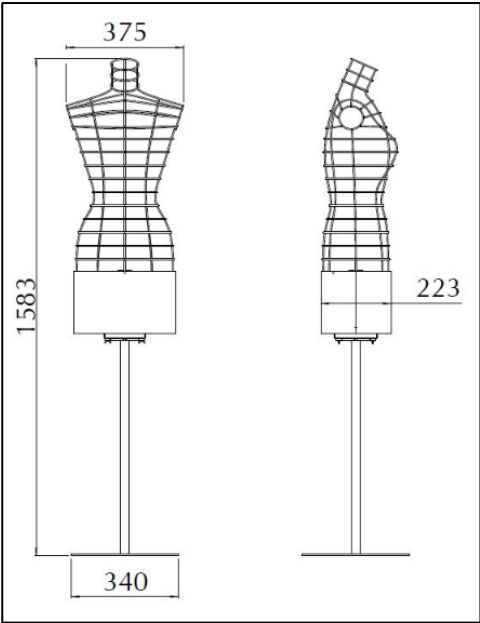
The Warranty does not work in the case of:

- **Failure** to comply with the instructions and installation standards given in the manual supplied with the product or in the technical documentation;
- **Failure** to comply with the operating and maintenance prescriptions contained in the manual supplied with the product and in the technical documentation;
- **Damage** to the product due to interventions by unauthorized or professionally non-competent personnel;
- **Anomalies** or faults dependent on the power supply network;
- **Malfunction** due to incorrect sizing;
- **Use of parts or spare parts** that are not original or not authorized by COBRILLO SRL;
- **Damages caused** by accidents, fires, natural disasters, accidents in general;
- **Breakage** occurred during transport.

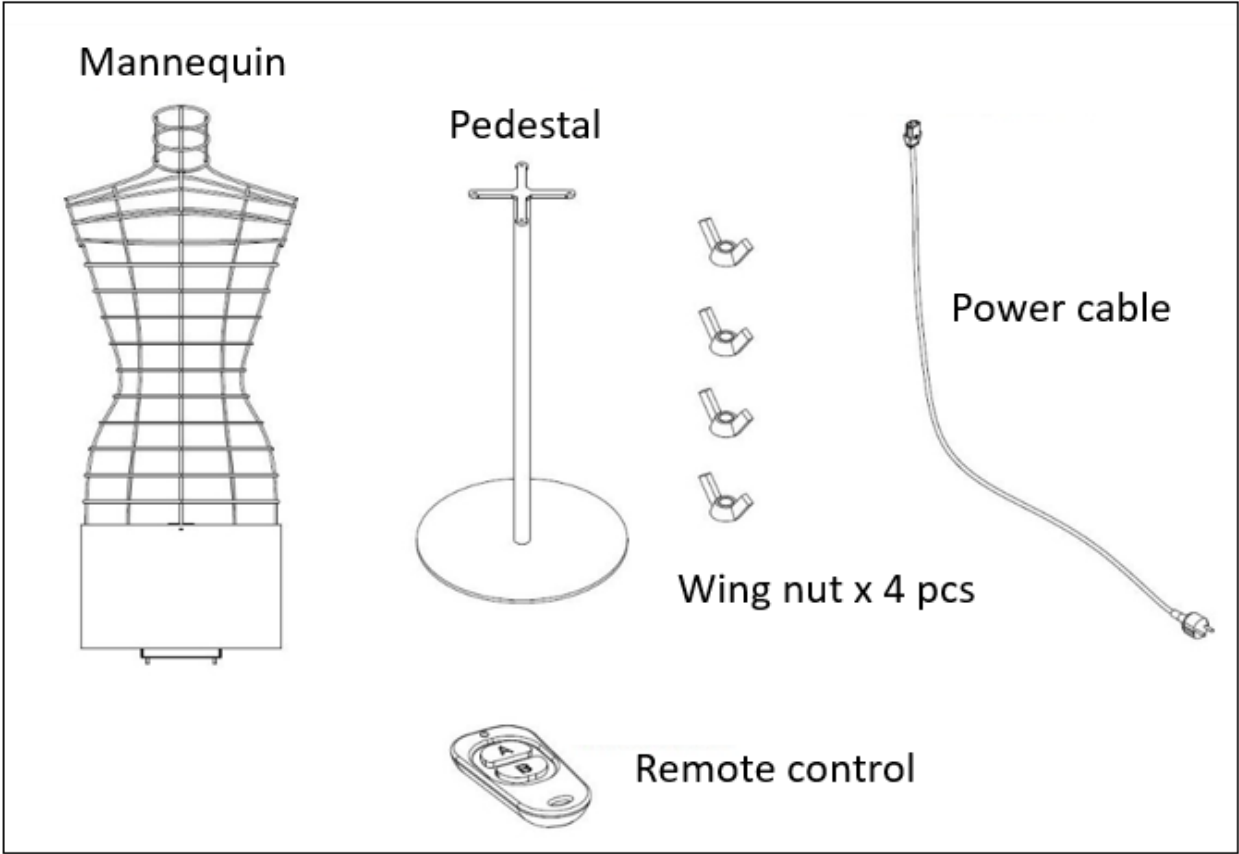
The parts of the product which, sent for repair to an authorized COBRILLO SRL office, may be damaged during the journey are not considered as guarantees.

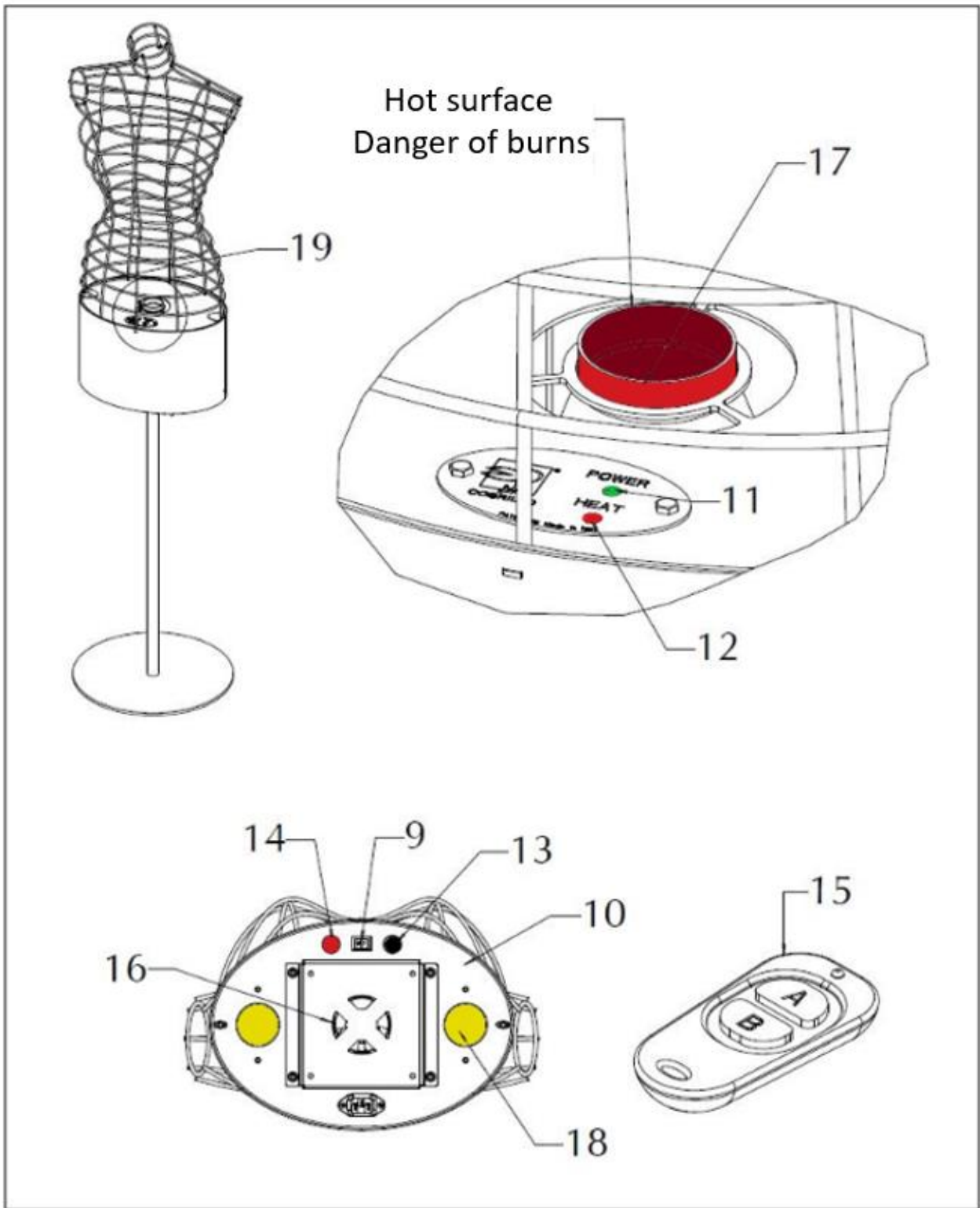
MOUNTING INSTRUCTION

DIMENSION



BOX CONTENT





Index

SAFETY WARNINGS	1
DISPOSAL OF THE PACKAGING	2
MOUNTING	3
USE	3
OPERATION	3
MAINTENANCE	4
TECHNICAL DATA	5
WARRENTY	5
DIMENSION	6
MOUNTING INSTRUCTION	6
BOX CONTENT	7
COMPONENT DRAWINGS	8

Cobrillo s.r.l.

via Torrione 30/1 - 28021 BORGOMANERO - NO

Tel. 0322068247

E-mail info@cobrillo.com

C.F. e Partita IVA 02549080030

Reg. Imprese - Nr. REA

www.cobrillo.com